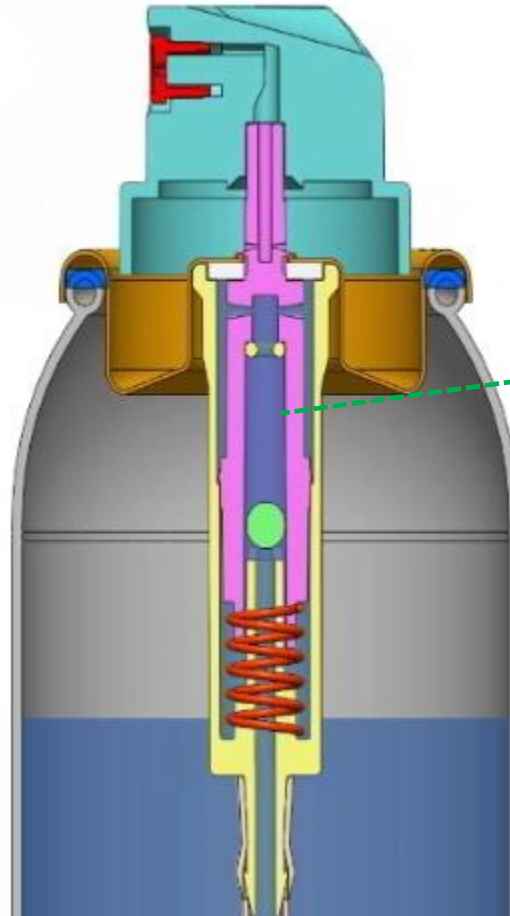


**Metered EcoValve for Waterbased Products
using Compressed Gas (Nitrogen or Compressed Air)**

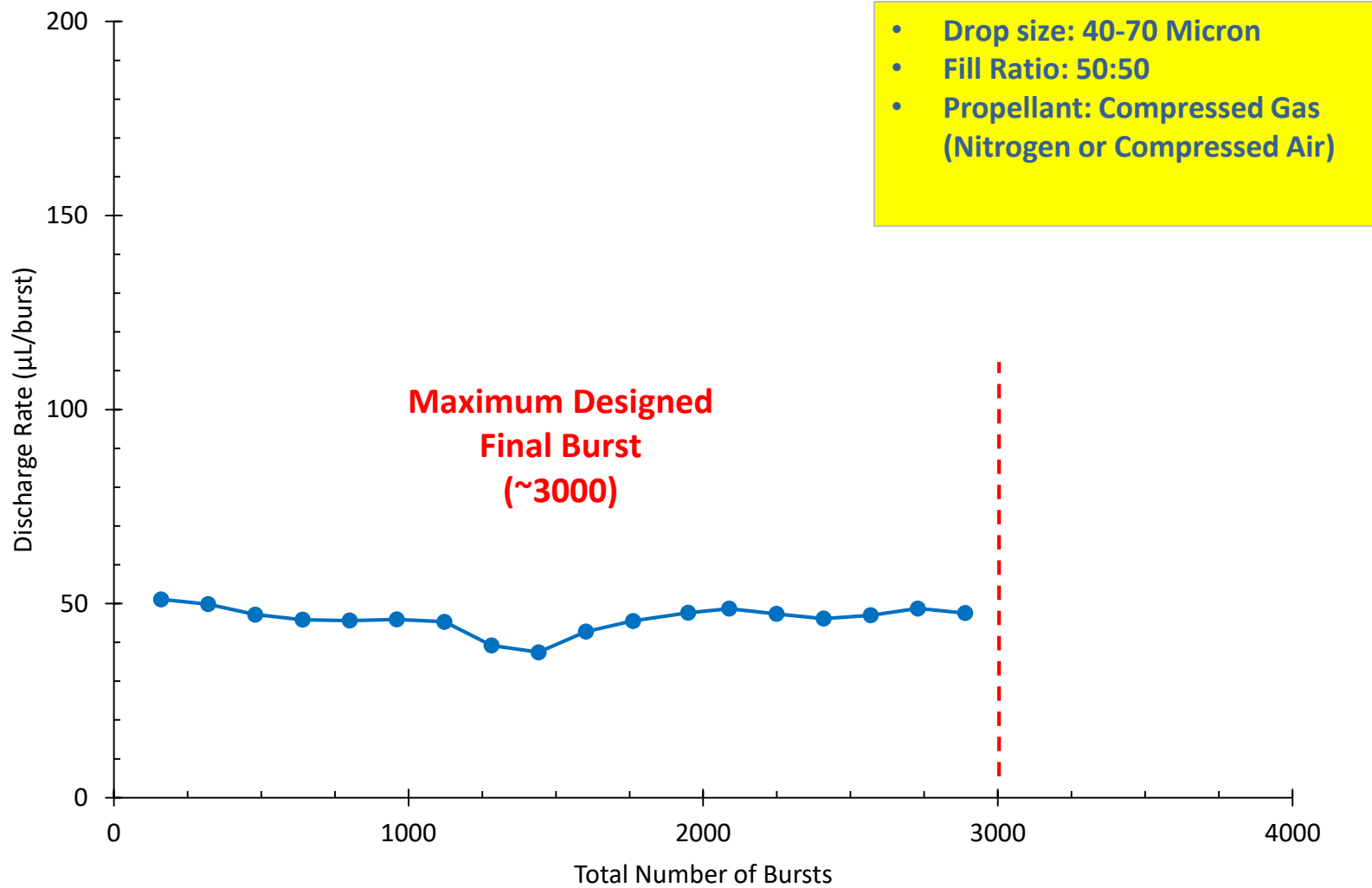
Salvalco Metering Valve for Compressed Gas

Metered
Dosage



Ball pushed
up by Metered
Dosage of
Liquid

Metered EcoValve (Nitrogen or Compressed air) at 5cm and 15cm Distance



Example of μL Dosage – using Sallvalco Normal Actuator as demonstration

